

--	--

--	--



--

--

--	--

--	--

--	--

--	--

--	--

--	--

--

--

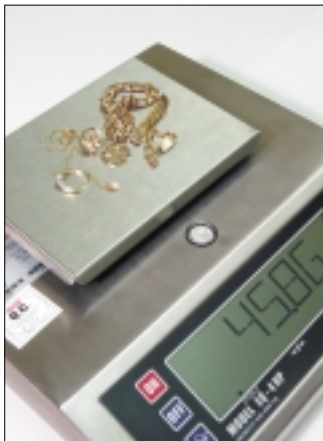
LINE:	HIGH PRECISION LABORATORY SCALE 4,000 g X 0.1 g
MODEL:	EQ-4HP

BENEFITS



VERY RESISTANT
Cover and plate are constructed of stainless steel, hygienic and easy to clean scale for an excellent presentation

HIGH PRECISION
The EQ-4HP has 40,000 divisions making this scale very precise, providing the exact weight in any operation, eliminating mistakes. (Class II)



EASY CALIBRATION
Includes a calibration weight for calibration and adjustment of this scale at the time of relocate it anywhere of the world and to compensate the variation too much of the gravitational factors

EASY TO READ DISPLAY
A backlight alphanumeric liquid crystal display enhance visibility even in dark areas.

SPECIFICATIONS

Capacity	4000 g
Minimum division	0.1 g
Display	Alpha numeric Liquid Crystal Display
Backlight	Included
Power Supply	110 v/60 Hz (220 v /50 Hz Optional)
Power supply adapter	Included
Car lighter adapter	Optional
Rechargeable Battery	Rechargeable battery (15 hours approximately)
Plate Dimensions	18 x 12.5 cm / 7 x 5" IN
Maximum tare	2 kg
Operation temperature	-10 to 40 °C (14 to 104°F)
Storage Temperature	-20 to 50°C (-4 to 122 °F)
Net weight	4.8 kg / 10.58 lb
Shipping weight	11.4 kg / 25.1 lb

PORTABLE
The EQ-4HP can operate in reduced space because its small size.

A long lasting battery allows the EQ-4HP to operate in areas without electricity.

PC OR PRINTER COMMUNICATION
Includes PC or printer interface through RS-232 serial port.



INCLUDES
AC adapter
Protective case for easy transportation
Calibration weight

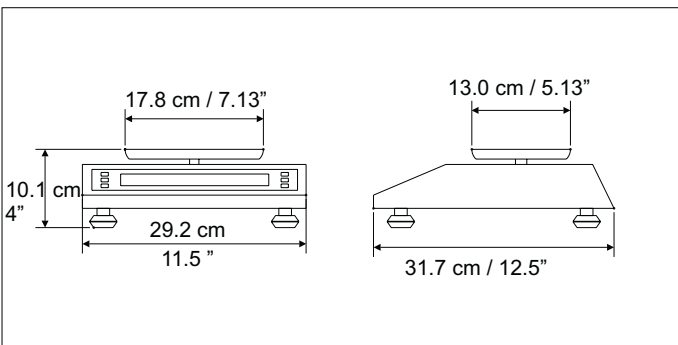
OPTIONAL ACCESORIES

Deep plate



Car lighter adapter
To plug in the scale

DIMENSIONS



NOM

DISTRIBUTED BY

