

LINE: PRECISION PORTIONING SCALE

MODEL: EQ-5/10, EQ-10/20



| USE |
|---|
| <ul style="list-style-type: none"> - Restaurants. - Bars. - Pizzerias - Bakery. - Industrial Kitchens - Hotels - Hospitals - etc. |

| DIMENSIONS AND CAPACITIES | | |
|---------------------------|---------------------------|---------------------------|
| MODEL | EQ-5/10 | EQ-10/20 |
| Capacity | 10 lb /5 kg /160 oz | 20 lb /10 kg /320 oz |
| Minimum Division | 0.002 lb /1 g / 0.05 oz | 0.005 lb /2 g / 0.1oz |
| Plate Dimensions | 8 x 11" IN (20 x 27.9 cm) | 8 x 11" IN (20 x 27.9 cm) |

BENEFITS

- | | |
|--|--|
| <ul style="list-style-type: none"> • Progressive Tare to obtain net weight, automatically subtracting the container's weight. • Rechargeable battery or AC/DC power adapter • Toggles between kg, lb & oz | <ul style="list-style-type: none"> • 5000 divisions • Stainless steel construction • Easy to use • Serial port for computer or printer Communication |
|--|--|

LINE:

PRECISION PORTIONING SCALE

MODEL:

EQ-5/10, EQ-10/20

BENEFITS



EXCELLENT IN RESTAURANTS AND INDUSTRIAL KITCHENS

The EQ portioning scale is an excellent auxiliary in restaurants and commercial kitchens.



HYGIENIC

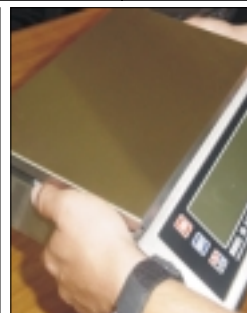
Cover and plate are constructed of stainless steel, hygienic and easy to clean scale for an excellent presentation

SPECIFICATIONS

| | EQ-5/10 | EQ-10/20 |
|-----------------------|-----------------------------------|-----------------|
| Capacity | 5kg/10lb/160oz | 10kg/20lb/320oz |
| Minimum division | 1g/0.002lb/0.05oz | 2g/0.01lb/0.1oz |
| Display | Liquid crystal display | |
| Backlight | Included | |
| Power Supply | 110v/60hz (220v/50 hz Optional) | |
| Power supply adapter | AC/DC Power adapter 120 VAC/9 VDC | |
| Cars lighter adapter | Optional | |
| Serial port | RS-232 | |
| Rechargeable Battery | 200 hours rechargeable battery | |
| Maximum tare | 2.5 kg / 5 lb | 5 kg / 10 lb |
| Plate Dimensions | 20 x 27.9 cm (8 x 11" IN) | |
| Operation temperature | -10 to 40 °C (14 to 104 °F) | |
| Storage Temperature | -20 to 50 °C (-4 to 122 °F) | |
| Net weight | 8 kg / 17.6 lb | 8 kg / 17.6 lb |
| Shipping weight | 10 kg / 22 lb | 10 kg / 22 lb |

PROGRESSIVE TARE FUNCTION

Ideal for recipe making, as you add each ingredient you can tare the items weighed, assuring exact quantity.



PORTABLE

The EQ can operate in reduced space because of its small size.

A long lasting battery allows the EQ to operate in areas without electricity.

OPTIONAL ACCESORIES



Deep plate



Car lighter adapter To plug in the scale

EASY TO READ DISPLAY

A backlight alphanumeric liquid crystal display enhance visibility even in dark areas.



PC COMMUNICATION

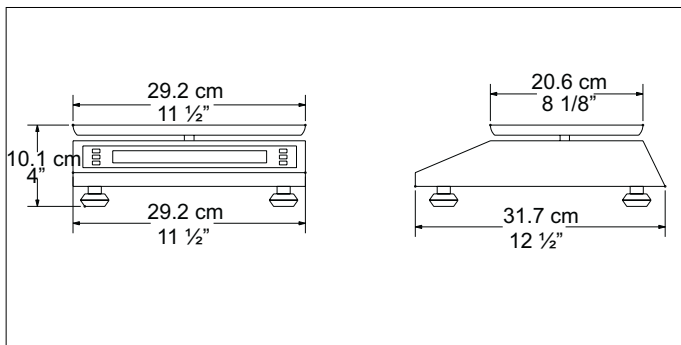
Includes PC or printer interface through RS-232 serial port.

TOGGLES BETWEEN KILOGRAMS, POUNDS & OUNCES

With a press of a button, you can instantly obtain the exact weight in either kg, lb or oz.



DIMENSIONS



NOM

DISTRIBUTED BY

