

LINE: COMPACT PORTIONING SCALES

MODEL: L-EQ-5/10 & L-EQ-10/20



| USE | CAPACITY AND DIMENSIONS | | |
|---|-------------------------|--------------------------|-------------------------|
| <ul style="list-style-type: none"> - Restaurants. - Bars. - Pizzerias - Bakery. - Industrial Kitchens - Hotels - Hospitals - etc. | MODEL | L-EQ-5/10 | L-EQ-10/20 |
| | Capacity | 5 kg / 10 lb / 160 oz | 10 kg / 20 lb / 320 oz |
| | Minimum division | 1 g / 0.002 lb / 0.05 oz | 2 g / 0.005 lb / 0.1oz |
| | Plate dimensions | 7.8 x 9.6" (20 x 24 cm) | 7.8 x 9.6" (20 x 24 cm) |

FEATURES

- Progressive Tare to obtain net weight, automatically subtracting the container's weight.
- Rechargeable battery or AC/DC power adapter
- Toggles between kg, lb & oz
- Programable audible alarm, for pre-packing operations
- 5000 divisions
- Stainless steel construction
- Easy to use
- Serial port for computer or printer communication
- Optional foot tare pedal

LINE:

COMPACT PORTIONING SCALES

MODEL:

L-EQ-5/10 & L-EQ-10/20

BENEFITS



EXCELLENT IN RESTAURANTS AND INDUSTRIAL KITCHENS

The L-EQ portioning scale is an excellent auxiliary in restaurants and commercial kitchens.



HYGIENIC
Cover and plate are constructed of stainless steel, hygienic and easy to clean scale for an excellent presentation

SPECIFICATIONS

| | L-EQ-5/10 | L-EQ-10/20 |
|-----------------------|--------------------------------------|-------------------|
| Capacity | 5kg/10lb/160oz | 10kg/20lb/320oz |
| Minimum division | 1g/0.002lb/0.05oz | 2g/0.005lb/0.1oz |
| Display | Liquid Crystal Display (LCD) display | |
| Backlight | Included | |
| Power supply | 110v/60hz (220v/50 hz Optional) | |
| Power supply adapter | Included | |
| Car lighter adapter | Optional | |
| Serial port | RS-232 | |
| Rechargeable battery | Included (it lasts up to 100 hours) | |
| Maximum tare | 5 kg / 10 lb | 10 kg / 20 lb |
| Plate dimensions | 7.8" x 9.6" inch (20 cm x 24 cm) | |
| Operation temperature | 14 to 104 °F (-10 to 40 °C) | |
| Storage Temperature | -4 to 122 °F (-20 to 50 °C) | |
| Net weight | 7.8 lb /3.5 kg | 7.8 lb /3.5 kg |
| Shipping weight | 10.7 lb/4.8 kg | 10.7 lb/4.8 kg |

OPTIONAL ACCESSORIES



Deep plate

PROGRESSIVE TARE FUNCTION

It features a tare button that returns the scale to zero when measuring ingredients in sequence without removing them from the plate, or it offsets a container's weight



PORTABLE

The L-EQ can operate in reduced space because its small size. A long lasting battery (up to 100 hours) allows the L-EQ to operate in areas without electricity.

EASY TO READ DISPLAY

A backlight alphanumeric liquid crystal display enhance visibility even in dark areas.



PC COMMUNICATION

Includes PC or printer interface through RS-232 serial port.



Car lighter adapter
To plug in the scale

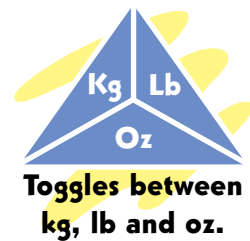
FOOT TARE PEDAL (OPTIONAL)

The L-EQ features foot tare pedal for hands free operation makes it even faster and easier to use



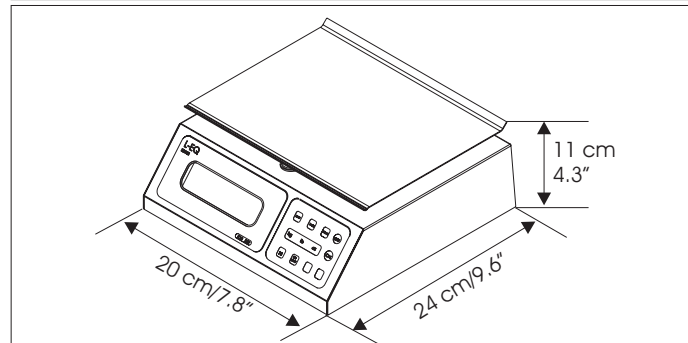
PROGRAMMABLE SET POINTS:

For pre-packing operations, you can set low and high points for audible alarm, when you are out of range.



Toggles between kg, lb and oz.

DIMENSIONS



DISTRIBUTED BY

