



MEAT TENDERIZER

**Soften tough cuts,
quickly**



**MT-43
MODEL**

- * Powerful 3/4 HP motor
- * Tenderizes cuts up to .75 inch (2 cm) thickness and 8.25" (21 cm) width
- * Stainless steel construction
- * Easy to clean
- * "Fajitas" unit (optional)





LONG LIFE WITH MINIMUM MAINTENANCE

The Solid stainless steel construction, its 43 hardened stainless steel knives and its dependable steel gear transmission allow years of continuous operation.



HYGIENIC

Cabinet, frame and lid are stainless steel making it hygienic, corrosion resistant, easy to clean, allowing for an excellent presentation

TURNS TOUGH MEAT INTO FINE AND SOFT CUTS



Tenderizes boneless meat without tearing it, makes them easier to cook while keeping its natural juices and flavor.



TENDERIZES CUTS UP TO 3/4 INCH (2 CM) THICKNESS AND 8" (21 CM) WIDTH



Specifications:	
Motor	¼ HP/.55 kw
*Volts	110 v/60 Hz
Gear transmission	Yes
Maximum product width	21cm / 8.25" IN
Maximum product thickness	2 cm / .75" IN
Net weight	33 kg/73 lb
Shipping weight	39 kg / 86 lb

*Optional 220 volts/50 Hz



TENDERIZING UNIT EASILY REMOVABLE

The tenderizing unit is easily removable for cleaning and its design avoids waste and accumulation in the working area.



THERMOMAGNETIC PROTECTOR

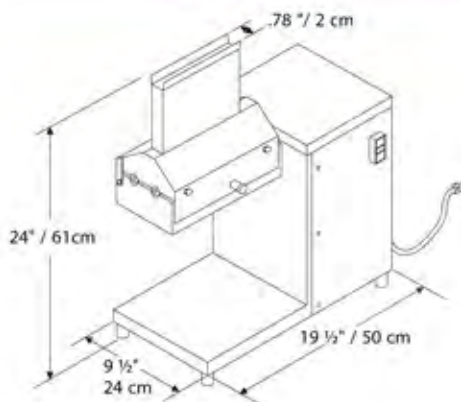
In case of overloads, the circuit breaker pops out and stops the equipment, extending its useful life.



SAFE OPERATION

It is equipped with a safety microswitch that automatically disconnects the motor if the cover is opened, preventing accidents.

DIMENSIONS



Safety & Sanitation
Conforms
UL std 763

Conforms
NSF-8

Conforms CAN/CSA
STD C22.2

DISTRIBUTED BY

