



M.R.

HIGH SPEED STAINLESS STEEL MEAT BAND SAW

*High
Speed!*

Professional Meat
Band Saw, low waste
and high production
in fine cuts.

- * Stainless steel construction
- * Hose down washable.
- * User's security system controlled electronically.
- * Stainless steel "slide moving table system".
- * Easy to disassemble (without tools).



**ST-305-SH
MODEL**

Safe operation



AVOID ACCIDENTS

Interlock safety switches on doors that stop the motor automatically if any of the doors are opened, reducing risk of accidents.



THERMOMAGNETIC SWITCHES

Protects the motor against overloads and is easily activated.



MOTOR BRAKE (OPTIONAL)

This device stops the band very fast (only 3 sec) turning the switch off.



THUMB PROTECTOR

The sliding table features a thumb protector for safety operation.



HOSE DOWN WASHABLE

Saving time during cleaning operations.



EASY TO DISASSEMBLE

Main components are easily disassembled (Without tools) for cleaning and sanitizing, and saw blade can be replaced without the need to disassemble any of the components



REMOVABLE WHEEL AND BLADE CLEANERS SYSTEM

To keep wheel and blade, grease and waste-free

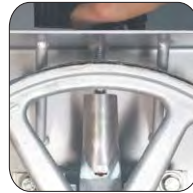


MASTER SWITCH

Stops energy completely for maintenance or use.

Easy to clean

Excellent performance



TENSIONING SYSTEM EASILY ADJUSTABLE

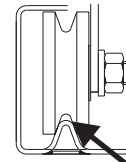
Assures a proper blade tension for a clean cut and a long lasting blade life. It has a red mark in the upper wheel to indicate right blade tension.



CONSISTENCY IN CUTS

Scaled thickness gauge that slides easily to adjust for thick or thin cuts, helping to get more consistency in cuts.

"EASY SLIDE" MOVING TABLE SYSTEM



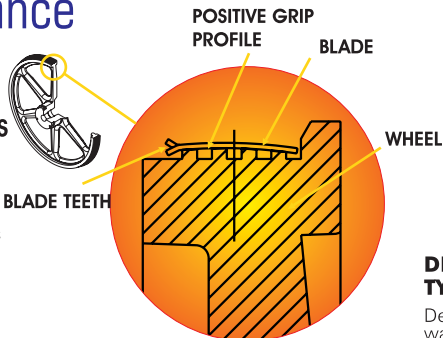
STAINLESS STEEL ROLLERS

The TORREY easy slide system allows a precise moving table ride, reducing effort and increasing productivity.

Save in time and maintenance

PRECISION BALANCED CAST IRON SAW WHEELS

The balanced wheels provide a vibration free operation, and a positive grip profile on the border of the wheels assures a steady blade drive for a perfect cut, while protecting the blade teeth.

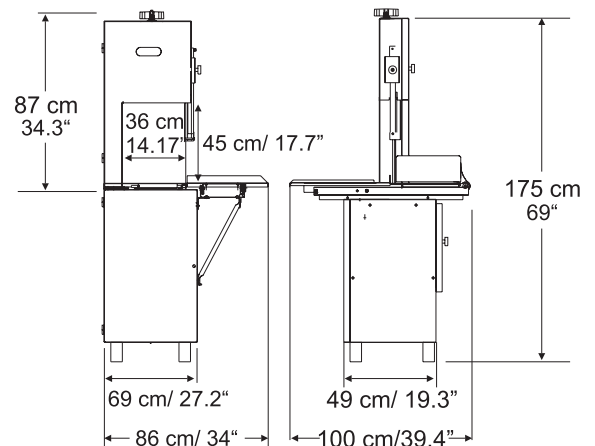


DEEP TRAY (DRAWER TYPE)

Deep tray to accumulate waste and work continuously.



DIMENSIONS



DISTRIBUTED BY

Specifications:	
	ST-305-SH
Saw blade	305 cm/120"
Blade speed	32 m/seg
Throat width	36 cm/14.17"
Throat height	45 cm/17.71"
Thermomagnetic switches	Yes
Waste tray	Yes
Movable blade guard	Yes
Sealed off bearings	Yes
*Motor	3 HP / 2.23 Kw
Net weight	214 kg / 471 lb
Shipping weight	235 kg / 518 lb



Safety & Sanitation
Conforms UL std 763



Sanitation
Conforms NSF-8



CANADA
Conforms CAN/CSA STD C22.2

*Motor available 3PH, 220 V/ 60 Hz optional