



Vertical Freezer

- Featuring a Smart Temperature Control optimizing and reducing the energy consumption.
- Includes 4 positionable shelves and offers 5 levels of stock.
- Triple-glazed doors and self-closing system.
- Upper display lit customizable.
- Walls injected with high density polyurethane.
- Maintenance-free condenser.
- Liquid evaporating tray.
- Casters available as an accessory
- ECO screen available as an accessory.
- LED lighting.

CV16



Forced air cooling



Smart temperature control



Triple-glazed door



Stainless steel floor



Casters (as an accessory)



Positional Shelves



ECO Screen (as an accessory)

CV16 Freezer Technical Specifications

- Capacity (ft³):** 16 ft³
- Capacity (Lt):** 453 L
- Weight (Kg/Lb):** 126Kg (277.8Lb)
- Shelve's quantity:** 4
- Shelve's dimension:** 51.75 x 58.5cm (20.3" x 23")
- Refrigerant type:** R404a
- Evaporation temperature:** -28°C (-18°F)
- Condensation temperature:** 43°C (109.4°F)
- Defrost method:** Electric
- Optimal temperature range:** -18°C (0°F or less)
- Nominal voltage: [V]** 127
- Plug type:** NEMA-5-15P ⓘ
- Electric cable lenght:** 1.9mts (6ft)
- Nominal current: [A]** 11.70
- Frecuency: [Hz]** 60
- Lighting type:** LED
- Compressor (HP):** 1/2
- Condensator:** Forced ventilation
- Evaporator:** Forced ventilation
- Expansion method:** Capillary tube

VERTICAL FREEZERS



Smart Temperature Control

Customizable lit display

Triple-glazed door and self-closing system

White exterior finish

White interior finish

Walls injected with high density polyurethane

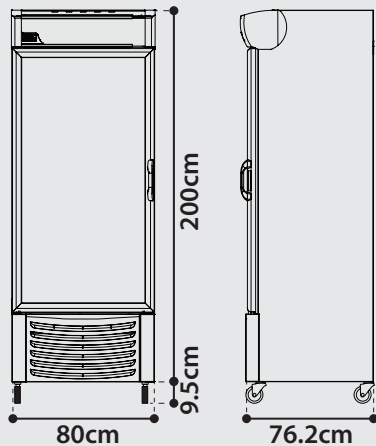
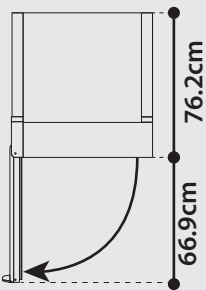
Black plastic handle

Stainless steel floor

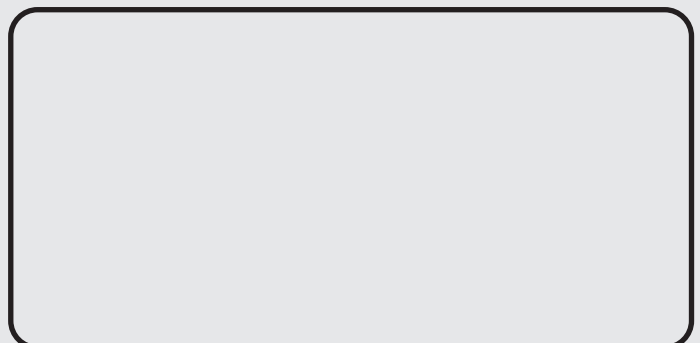
Four steel positioning shelves

Liquid evaporating tray

Casters available as an accesory



DISTRIBUTED BY:



One year warranty (12 months) on parts and manufacturing defects. Design and specification subject to change without notice.

