



# Vertical Freezer

CV32



- Featuring a Smart Temperature Control optimizing and reducing the energy consumption.
- Includes 8 positionable shelves and offers 10 levels of stock.
- Triple-glazed doors and self-closing system.
- Upper display lit customizable.
- Walls injected with high density polyurethane.
- Liquid evaporating tray.
- Casters available as an accessory
- ECO screen available as an accessory.
- LED lighting.



Forced air cooling



Smart Temperature Control



Triple-glazed doors



Stainless steel floor



Casters (as an accessory)



Positional Shelves



ECO Screen (as an accessory)

# CV32 Freezer Technical Specifications

Capacity (ft<sup>3</sup>): 32 ft<sup>3</sup>

Capacity (Lt): 906 L

Weight (Kg/Lb): 205.6 kg (453.27Lb)

Shelve's quantity: 8

Shelve's dimensions: 50.8 x 59.7cm (20" x 23.5")

Refrigerant type: R404a

Evaporation temperature: -28°C (-18°F)

Condensation temperature: 43°C (109.4°F)

Defrost method: Electric

Optimal temperature range: -18°C (0°F or less)

Nominal Voltage: [V] 120

Plug type: NEMA-5-15P (i)

Electric cable length: 1.9mts (6ft)

Nominal current: [A] 11.90

Frecuency: [Hz] 60

Lighting type: LED

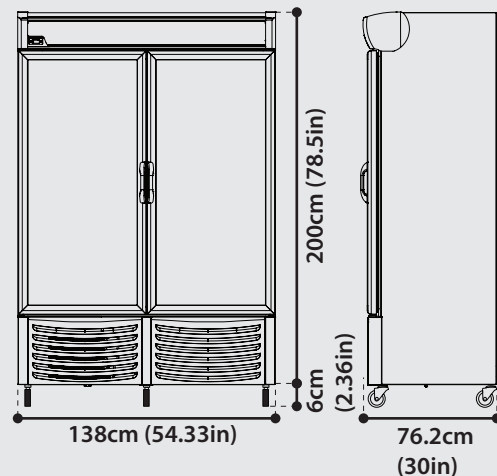
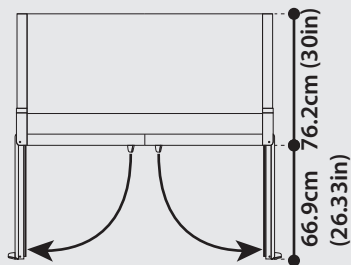
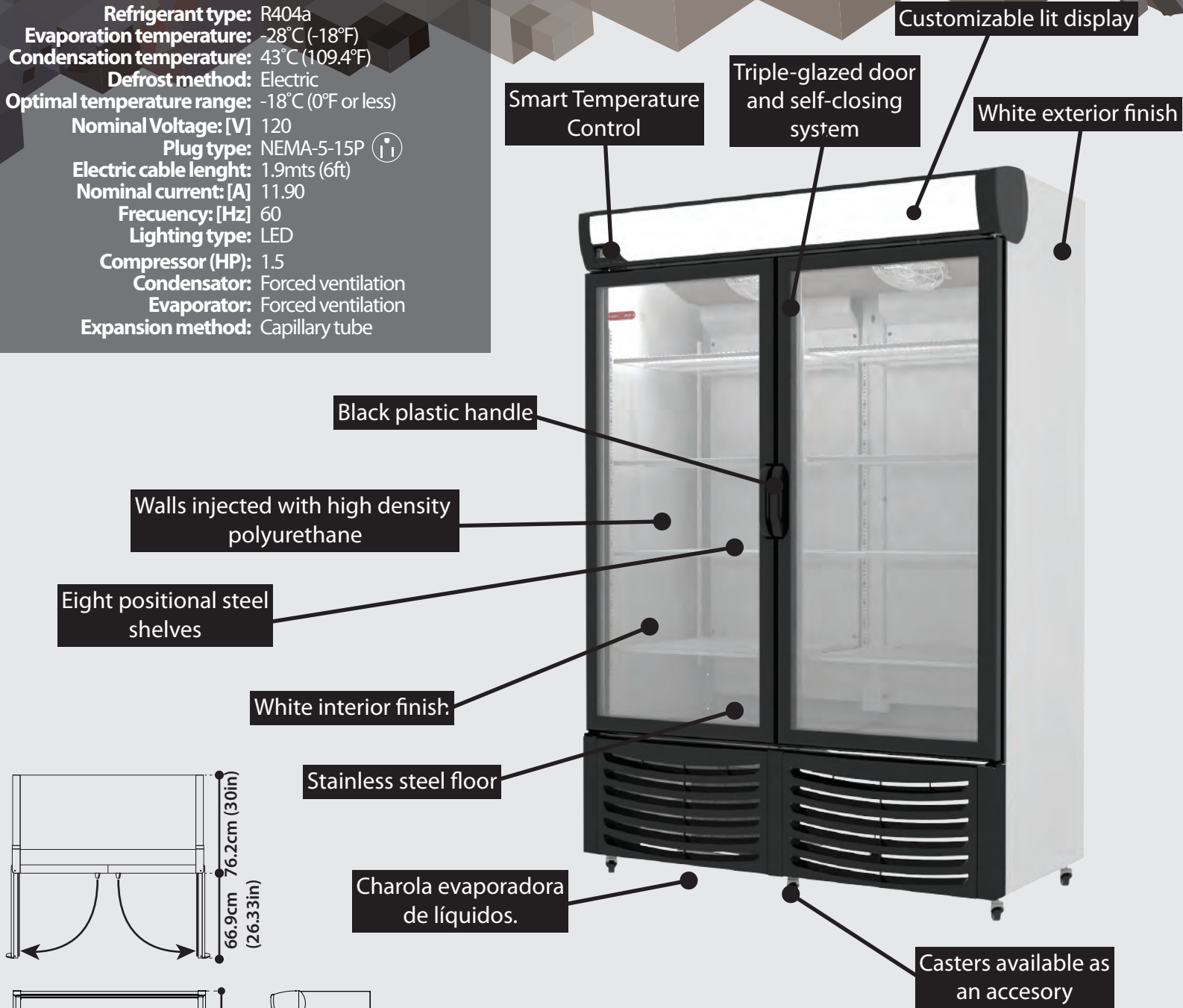
Compressor (HP): 1.5

Condensator: Forced ventilation

Evaporator: Forced ventilation

Expansion method: Capillary tube

# VERTICAL FREEZERS



## DISTRIBUIDO POR:



**One year warranty (12 months)** on parts and manufacturing defects. Design and specification subject to change without notice.

